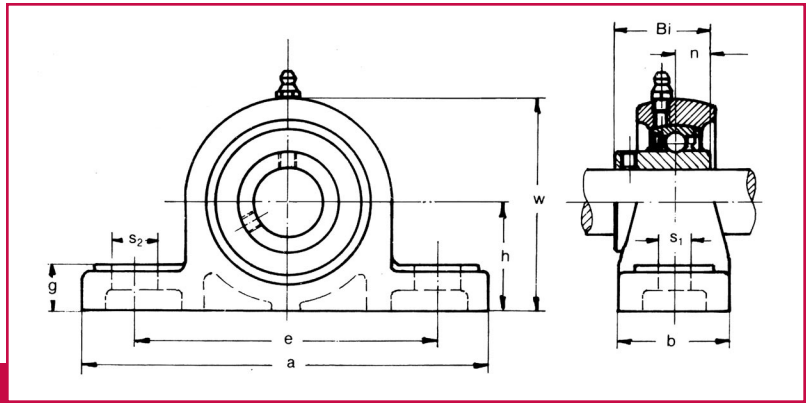


JILSON THERMOPLASTIC BEARING HOUSING SPECS

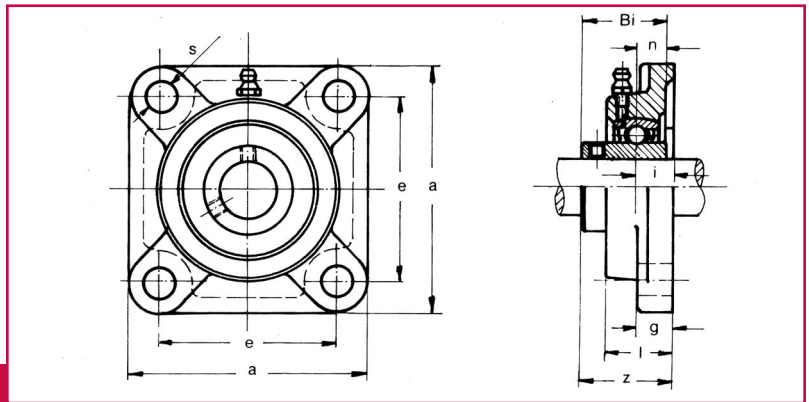


For more information, contact Jilson at 800-969-5400 or visit our website at www.jilson.com.



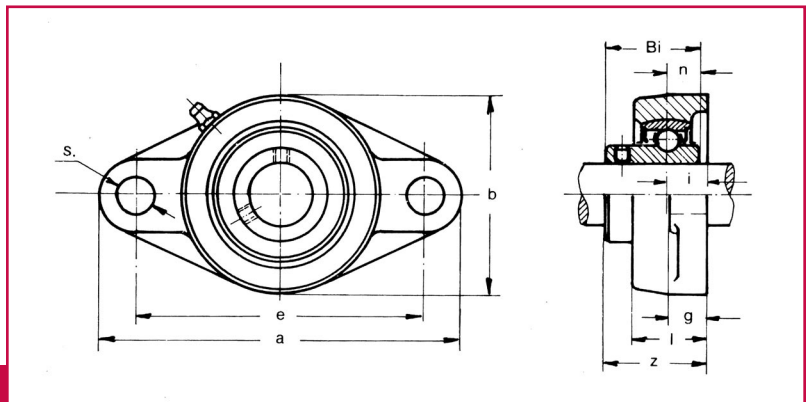
PPL PILLOW BLOCKS

HOUSING PART NO.	INSERT BEARING BORES			DIMENSIONS – INCHES									
	MM	INCH	O.D. INCH	h	a	e	b	S1	S2	g	w	Bi	n
	PPL 204	12, 15, 17, 20	1/2, 9/16, 5/8, 11/16, 3/4	1.8504	1-5/16	5	3-3/4	1-1/2	7/16	9/16	9/16	2-9/16	1-7/32
PPL 205	25	7/8, 15/16, 1	2.0472	1-7/16	5-1/2	4-1/8	1-1/2	7/16	9/16	19/32	2-25/32	1-11/32	9/16
PPL 206	30	1-1/16, 1-1/8, 1-3/16, 1-1/4	2.4409	1-11/16	6-3/8	4-11/16	1-13/16	9/16	23/32	11/16	3-9/32	1-1/2	5/8



FPL 4-BOLT FLANGED HOUSINGS

HOUSING PART NO.	INSERT BEARING BORES			DIMENSIONS – INCHES									
	MM	INCH	O.D. INCH	a	e	g	l	S	z	i	Bi	n	
	FPL 204	12, 15, 17, 20	1/2, 9/16, 5/8, 11/16, 3/4	1.8504	3-3/8	2-1/2	1/2	l	7/16	1-3/8	19/32	1-7/32	1/2
FPL 205	25	7/8, 15/16, 1	2.0472	3-3/4	2-3/4	9/16	1-1/16	7/16	1-13/32	5/8	1-11/32	9/16	
FPL 206	30	1-1/16, 1-1/8, 1-3/16, 1-1/4	2.4409	4-1/4	3-9/32	9/16	1-7/32	7/16	1-21/32	3/4	1-1/2	5/8	



NFL 2-BOLT FLANGED HOUSINGS

HOUSING PART NO.	INSERT BEARING BORES			DIMENSIONS – INCHES									
	MM	INCH	O.D. INCH	a	e	b	g	l	S	z	i	Bi	n
	NFL 204	12, 15, 17, 20	1/2, 9/16, 5/8, 11/16, 3/4	1.8504	4-7/16	3-17/32	2-3/8	7/16	l	7/16	1-5/16	19/32	1-7/32
NFL 205	25	7/8, 15/16, 1	2.0472	5-1/8	3-29/32	2-11/16	1/2	1-1/16	7/16	1-13/32	5/8	1-11/32	9/16
NFL 206	30	1-1/16, 1-1/8, 1-3/16, 1-1/4	2.4409	5-13/16	4-19/32	3-5/32	1/2	1-7/16	7/16	1-9/16	23/32	1-1/2	5/8